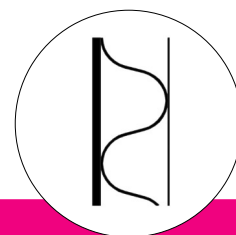
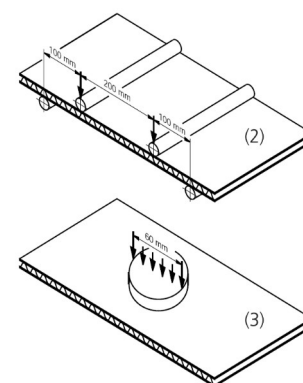


Data sheet

Rigid panel
primered



Panel type	Alu hl 10-03-05 hl / H10	
Top cover sheet		
Thickness of sheet	1.0 mm	(US: 0.039 in)
Surface	primered	
Alloy / Condition	EN AW-5754 H48	
Proof stress $R_{p0.2}$ [N/mm ²]	≥ 220	
Tensile stress R_m [N/mm ²]	≥ 280	
Back cover sheet		
Thickness of sheet	0.5 mm	(US: 0.020 in)
Surface	primered	
Alloy / Condition	EN AW-5182 H48	
Proof stress $R_{p0.2}$ [N/mm ²]	≥ 300	
Tensile stress R_m [N/mm ²]	≥ 330	
Dimensions		
Overall thickness [mm]	10.0 ± 0.2	(US: 0.394 in ± 0.008 in)
Standard width [mm]	1,500 -0/+6 ⁽⁴⁾	(US: 4.92 ft -0/+0.236 in) ⁽⁴⁾
Standard length [mm]	3,000 -0/+6	(US: 9.84 ft -0/+0.236 in)
other dimensions on request		
Mechanical and physical properties ⁽⁷⁾		
Weight [kg/m ²]	5.7	
Rigidity [Nmm ² /mm] ⁽²⁾ E I/b, longitudinal / transverse	3.0 E+6 / 2.1 E+6	
Bending moment [Nmm/mm] ⁽²⁾ Limit of elasticity M_{el} , längs /quer Max. bending moment M_{max} , longitudinal / transverse	≥ 1,550 / ≥ 850 ≥ 2,000 / ≥ 1,000	
Compressive strength [N/mm ²] ⁽³⁾	≥ 3.5	
Temperature stability ⁽⁶⁾	-40 to 100 °C (US: -40 to 212 °F)	
Approvals / Certificates	on request	



Alu hl 10-03-05 hl / H10

- (1) High Durable Polyester (HDP) coilcoated
Other colours and paint-systems on request
- (2) Bending test at room temperature following DIN 53293
Since the panel core is a corrugated sheet,
two different load cases have to be considered:
longitudinal: bending axis perpendicular to the corrugation
transverse: bending axis parallel to the corrugation
- (3) Pressure test at room temperature following DIN 53291
- (4) Border margin max. 5 mm (US: max. 0.197 in)
- (5) Cut by hammer shears
- (6) Others on request
- (7) Further characteristics can be supplied on demand