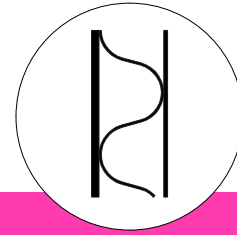
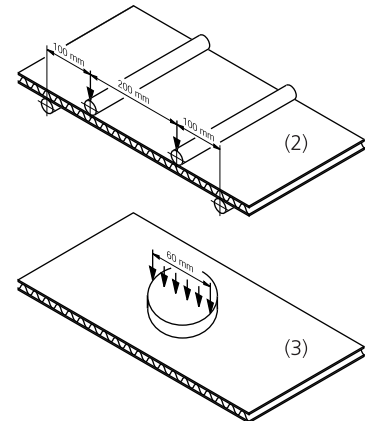


Data sheet

Customer specific panel



|   |                                      |   |
|---|--------------------------------------|---|
| <b>Panel type</b>   | <b>Alu hl 08-03-05 hl / H10</b>      |   |
| <b>Top cover sheet</b>  |                                      |   |
| <b>Thickness of sheet</b>   | 0.8 mm                               | (US: 0.032 in)                            |
| <b>Surface</b>  | primered                             |   |
| <b>Alloy / Condition</b>  | EN AW-5754 H42                       |   |
| <b>Proof stress</b> $R_{p0,2}$ [N/mm <sup>2</sup> ]   | ≥ 140                                |   |
| <b>Tensile stress</b> $R_m$ [N/mm <sup>2</sup> ]  | ≥ 220                                |   |
| <b>Back cover sheet</b>   |                                      |   |
| <b>Thickness of sheet</b>   | 0.5 mm                               | (US: 0.020 in)                            |
| <b>Surface</b>  | primered                             |   |
| <b>Alloy / Condition</b>  | EN AW-5182 H48                       |   |
| <b>Proof stress</b> $R_{p0,2}$ [N/mm <sup>2</sup> ]   | ≥ 300                                |   |
| <b>Tensile stress</b> $R_m$ [N/mm <sup>2</sup> ]  | ≥ 330                                |   |
| <b>Dimensions</b>   |                                      |   |
| <b>Overall thickness</b> [mm]*  | 10.0 ± 0.2                           | (US: 0.394 in ± 0.008 in)                 |
| <b>Standard width</b> [mm]*   | 1,500 -0/+6 <sup>(4)</sup>           | (US: 4.92 ft -0/+0.236 in) <sup>(4)</sup> |
| <b>Standard length</b> [mm]*  | 3,000 -0/+6                          | (US: 9.84 ft -0/+0.236 in)                |
| * other dimensions on request   |                                      |   |
| <b>Mechanical and physical properties <sup>(7)</sup></b>  |                                      |   |
| <b>Weight</b> [kg/m <sup>2</sup> ]  | 5.2                                  |   |
| <b>Rigidity</b> [Nmm <sup>2</sup> /mm] <sup>(2)</sup><br>EI/b, longitudinal / transverse  | 2.2 E+6 / 1.6 E+6                    |   |
| <b>Bending moment</b> [Nmm/mm] <sup>(2)</sup><br>Limit of elasticity $M_{el}$ , längs / quer<br>Max. bending moment $M_{max}$ , longitudinal / transverse | ≥ 1,250 / ≥ 750<br>≥ 1,800 / ≥ 800   |   |
| <b>Compressive strength</b> [N/mm <sup>2</sup> ] <sup>(3)</sup>   | ≥ 3.3                                |   |
| <b>Temperature stability</b> <sup>(6)</sup>   | -40 to 100 °C<br>(US: -40 to 212 °F) |   |
| <b>Approvals / Certificates</b>   | on request                           |   |



Alu hl 08-03-05 hl / H10

- (1) High Durable Polyester (HDP) coilcoated  
Other colours and paint-systems on request
- (2) Bending test at room temperature following DIN 53293  
Since the panel core is a corrugated sheet,  
two different load cases have to be considered:  
longitudinal: bending axis perpendicular to the corrugation  
transverse: bending axis parallel to the corrugation
- (3) Pressure test at room temperature following DIN 53291
- (4) Border margin max. 5 mm (US: max. 0.197 in)
- (5) Cut by hammer shears
- (6) Others on request
- (7) Further characteristics can be supplied on demand