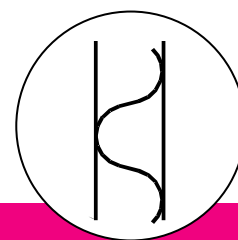
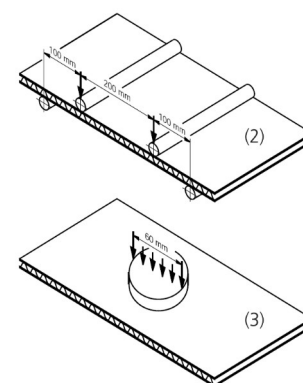


Data sheet

Special product
(non-standard)



Panel Type	Alu hl 05-03-05 hl / H10	
Top cover sheet		
Thickness of sheet	0.5 mm	(US: 0.020 in)
Surface	primered	
Alloy / Condition	EN AW-5182 H48	
Proof stress $R_{p0.2}$ / Tensile stress R_m [N/mm ²]	≥ 300 / ≥ 330	
Back cover sheet		
Thickness of sheet	0.5 mm	(US: 0.020 in)
Surface	primered	
Alloy / Condition	EN AW-5182 H48	
Proof stress $R_{p0.2}$ / Tensile stress R_m [N/mm ²]	≥ 300 / ≥ 330	
Dimensions		
Overall thickness	10 ± 0.2 mm	(US: 0.394 in ± 0.008 in)
Standard width	1,500 -0/+6 mm ⁽⁴⁾	(US: 4.92 ft -0/+0.236 in) ⁽⁴⁾
Standard length	3,000 -0/+6 mm	(US: 9.84 ft -0/+0.236 in)
other dimensions on request		
Mechanical and physical properties ⁽⁷⁾		
Weight [kg/m ²]	4.4	
Rigidity [Nmm ² /mm] ⁽²⁾ EI/b longitudinal / transverse	2.6 E+6 / 1.5 E+6	
Bending moment [Nmm/mm] ⁽²⁾ Limit of elasticity M_{el} longitudinal / transverse Max. bending moment M_{max} longitudinal / transverse	≥ 1500 / ≥ 500 ≥ 1800 / ≥ 550	
Compressive strength [N/mm ²] ⁽³⁾	≥ 3.2	
Temperature stability ⁽⁶⁾	-40 bis 100 °C (US: -40 to 212 °F)	
Approvals / Certificates	on request	



Alu hl 05-03-05 hl / H10

- (1) High Durable Polyester (HDP) coilcoated.
Other colours and paint-systems on request
- (2) Bending test following DIN 53293
Since the panel core is a corrugated sheet,
two different load cases have to be considered:
longitudinal: bending axe perpendicular to the corrugation
transverse: bending axe parallel to the corrugation
- (3) Pressure test following DIN 53291
- (4) Border margin max. 5 mm (US: max. 0.197 in)
- (5) Cut by hammer shears
- (6) Others on request
- (7) Further characteristics can be supplied on demand