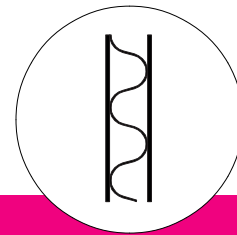
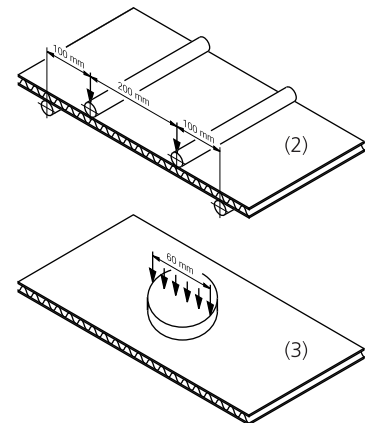


## Data sheet

Light panel  
primered



Panel type	Alu hl 05-02-05 hl / H6	
<b>Top cover sheet</b>		
Thickness of sheet	0.5 mm	(US: 0.020 in)
Surface	primered	
Alloy / Condition	EN AW-5182 H48	
Proof stress $R_{p0,2}$ [N/mm <sup>2</sup> ]	≥ 300	
Tensile stress $R_m$ [N/mm <sup>2</sup> ]	≥ 330	
<b>Back cover sheet</b>		
Thickness of sheet	0.5 mm	(US: 0.020 in)
Surface	primered	
Alloy / Condition	EN AW-5182 H48	
Proof stress $R_{p0,2}$ [N/mm <sup>2</sup> ]	≥ 300	
Tensile stress $R_m$ [N/mm <sup>2</sup> ]	≥ 330	
<b>Dimensions</b>		
Overall thickness [mm]*	6 ± 0.15	(US: 0.236 in ± 0.006 in)
Standard width [mm]*	1,500 -0/+6 <sup>(4)</sup>	(US: 4.92 ft -0/+0.236 in) <sup>(4)</sup>
Standard length [mm]*	3,000 -0/+6	(US: 9.84 ft -0/+0.236 in)
* other dimensions on request		
<b>Mechanical and physical properties<sup>(7)</sup></b>		
Weight [kg/m <sup>2</sup> ]	3.8	
Rigidity [Nmm <sup>2</sup> /mm] <sup>(2)</sup> EI/b, longitudinal / transverse	740,000 / 600,000	
Bending moment [Nmm/mm] <sup>(2)</sup> Limit of elasticity $M_{el}$ , longitudinal / transverse Max. bending moment $M_{max}$ , longitudinal / transverse	≥ 700 / ≥ 480 ≥ 950 / ≥ 500	
Compressive strength [N/mm <sup>2</sup> ] <sup>(3)</sup>	≥ 2.4	
Temperature stability <sup>(6)</sup>	-40 to 100 °C (US: -40 to 212 °F)	
Approvals / Certificates	on request	



Alu hl 05-02-05 hl / H6

- (1) High Durable Polyester (HDP) coilcoated  
Other colours and paint-systems on request
- (2) Bending test at room temperature following DIN 53293  
Since the panel core is a corrugated sheet,  
two different load cases have to be considered:  
longitudinal: bending axis perpendicular to the corrugation  
transverse: bending axis parallel to the corrugation
- (3) Pressure test at room temperature following DIN 53291
- (4) Border margin max. 5 mm (US: max. 0.197 in)
- (5) Cut by hammer shears
- (6) Others on request
- (7) Further characteristics can be supplied on demand