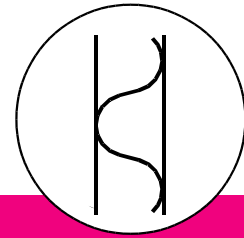
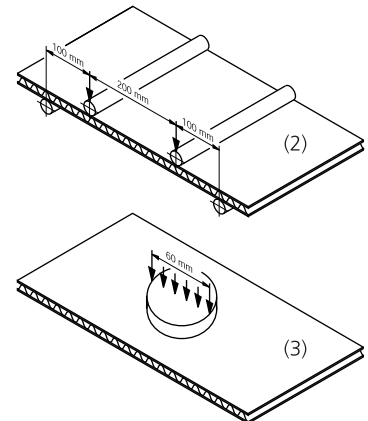


Data sheet

Special product  
(non-standard)



<b>Panel Type</b>	<b>Alu hl 05-03-05 hl / H10</b>	
<b>Top cover sheet</b>		
<b>Thickness of sheet</b>	0.5 mm	(US: 0.020 in)
<b>Surface</b>	primered	
<b>Alloy / Condition</b>	EN AW-5182 H48	
<b>Proof stress <math>R_{p0,2}</math> / Tensile stress <math>R_m</math> [N/mm<sup>2</sup>]</b>	≥ 300 / ≥ 330	
<b>Back cover sheet</b>		
<b>Thickness of sheet</b>	0.5 mm	(US: 0.020 in)
<b>Surface</b>	primered	
<b>Alloy / Condition</b>	EN AW-5182 H48	
<b>Proof stress <math>R_{p0,2}</math> / Tensile stress <math>R_m</math> [N/mm<sup>2</sup>]</b>	≥ 300 / ≥ 330	
<b>Dimensions</b>		
<b>Overall thickness*</b>	10 ± 0.2 mm	(US: 0.394 in ± 0.008 in)
<b>Standard width*</b>	1,500 -0/+6 mm <sup>(4)</sup>	(US: 4.92 ft -0/+0.236 in <sup>(4)</sup> )
<b>Standard length*</b>	3,000 -0/+6 mm	(US: 9.84 ft -0/+0.236 in)
* other dimensions on request		
<b>Mechanical and physical properties <sup>(7)</sup></b>		
<b>Weight [kg/m<sup>2</sup>]</b>	4.4	
<b>Rigidity [Nmm<sup>2</sup>/mm] <sup>(2)</sup></b> EI/b longitudinal / transverse	2.6 E+6 / 1.5 E+6	
<b>Bending moment [Nmm/mm] <sup>(2)</sup></b> Limit of elasticity $M_{el}$ longitudinal / transverse Max. bending moment $M_{max}$ longitudinal / transverse	≥ 1500 / ≥ 500 ≥ 1800 / ≥ 550	
<b>Compressive strength [N/mm<sup>2</sup>] <sup>(3)</sup></b>	≥ 3.2	
<b>Temperature stability <sup>(6)</sup></b>	-40 bis 100 °C (US: -40 to 212 °F)	
<b>Approvals / Certificates</b>	on request	



Alu hl 05-03-05 hl / H10

- (1) High Durable Polyester (HDP) coilcoated.  
Other colours and paint-systems on request
- (2) Bending test following DIN 53293  
Since the panel core is a corrugated sheet, two different load cases have to be considered:  
longitudinal: bending axe perpendicular to the corrugation  
transverse: bending axe parallel to the corrugation
- (3) Pressure test following DIN 53291
- (4) Border margin max. 5 mm (US: max. 0.197 in)
- (5) Cut by hammer shears
- (6) Others on request
- (7) Further characteristics can be supplied on demand